

## Methods of planting of sugarcane

1. Single bud sett planting



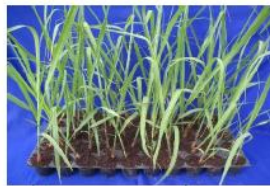
2. Two budded sett planting



3. Three budded sett planting



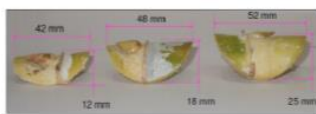
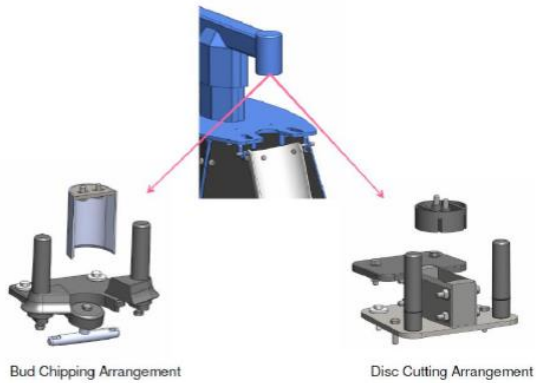
4. Bud chip planting



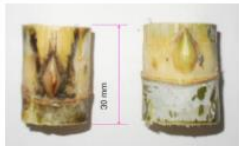
**Capacity : 550-2500 bud chips per hour**  
**Savings in cost of operation : 50-60%**  
**Savings in time : 90 %**



## Sugarcane single bud/sett cutting machine



Achievable Bud Dimension Details



## Sugarcane bud chipper

